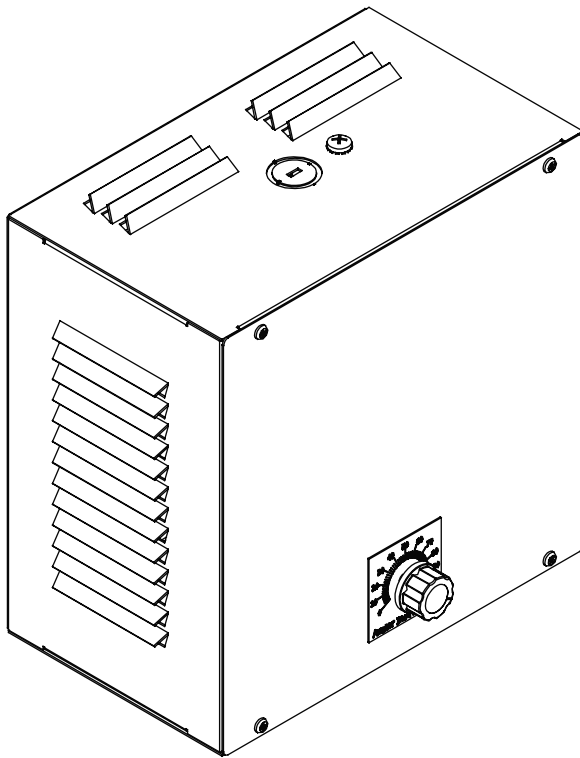


INSTALLATION AND OPERATION INSTRUCTIONS VHC-66, VHC-99 VARIABLE HEAT CONTROL FOR INFRARED HEATERS

INSTALLATION INSTRUCTIONS



VHC-66

Volts: 240/208 Hz:50/60

Amps: 32

Maximum watts@ 208V: 6656

Maximum watts@ 240V: 7680

Minimum Wire Size: 8 AWG

VHC-99

Volts: 240/208 Hz:50/60

Amps: 48

Maximum watts@ 208V: 9984

Maximum watts@ 240V: 11520

Minimum Wire Size: 6 AWG

DESCRIPTION

The VHC-66 and VHC-99 are variable output controls for infrared heaters. The output can be adjusted to allow the user to vary the desired output of the heater to maintain a comfortable environment depending on the ambient temperature.

INSTALLATION

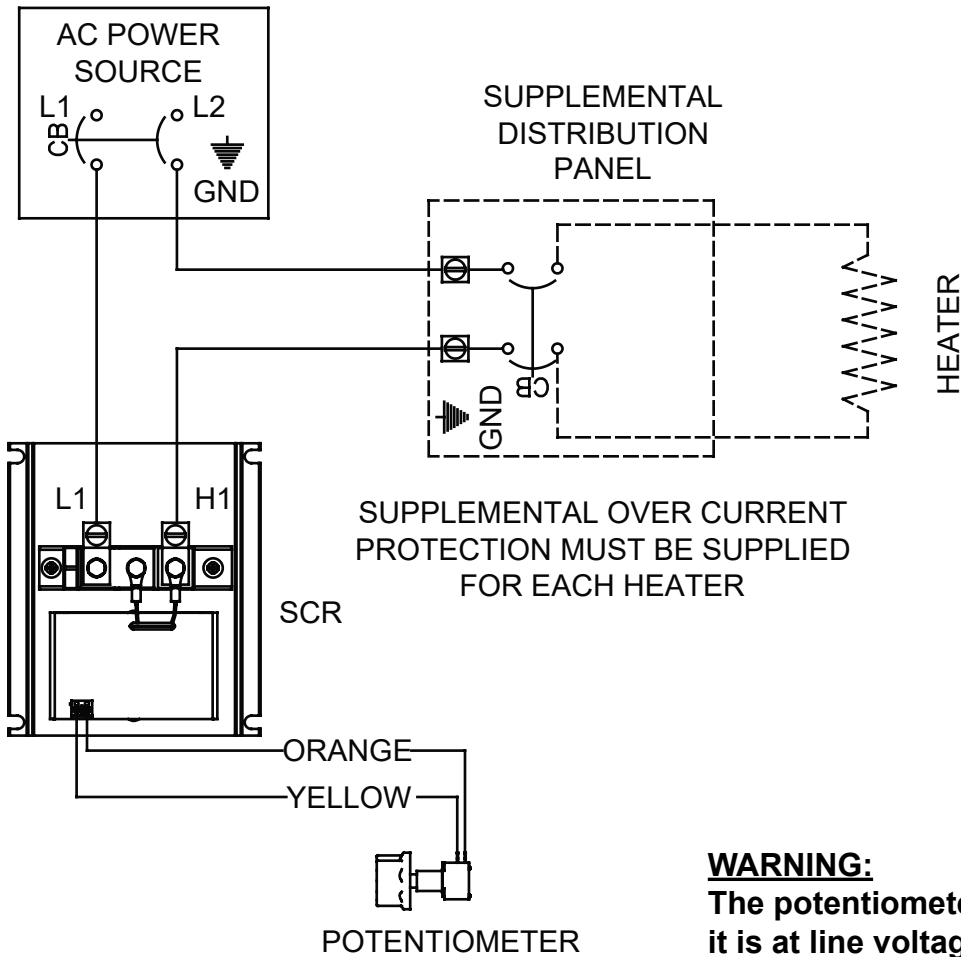
- **Disconnect power at main breaker before servicing this control.**
- The installation of the VHC-66 and VHC-99 must conform to the National Electric Code and/or authorities having jurisdiction.
- All wiring must be performed by a qualified, licensed electrician.
- All conductors must be copper, the VHC-66 and VHC-99 must be grounded per the National Electric Code.
- Over current must be provided to each individual heater circuit in an approved distribution panel.
- The VHC-66 and VHC-99 are not rainproof, they must be installed in a protected area.

OPERATION

- When all required installation and wiring are completed:
- Adjust the potentiometer to the lowest setting (counter-clockwise).
- Turn the breakers on.
- Adjust the potentiometer (clockwise) to obtain the required heater output.

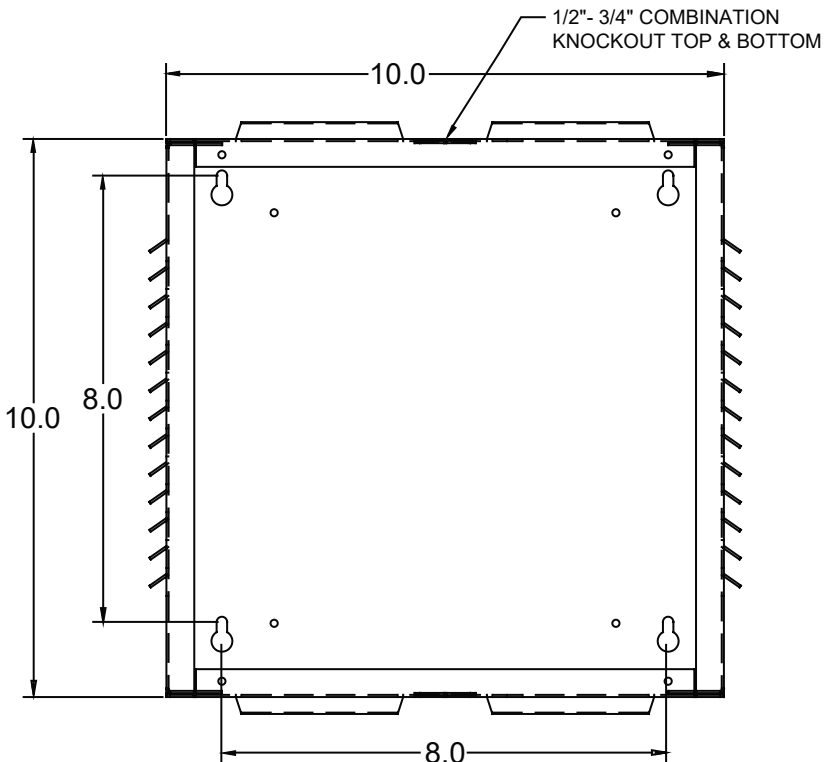
Note: These controls are provided with a three second ramp up function (soft start) to permit control of high inrush lamps. Never connect cold lamps after start up.

WIRING



WARNING:
The potentiometer is NOT ISOLATED;
it is at line voltage potential.

MOUNTING



CAUTION:

Use hardware suitable for mounting surface.
Secure enclosure using all four key-holes.

Enclosure Size:
10" W x 10" H x 6" D

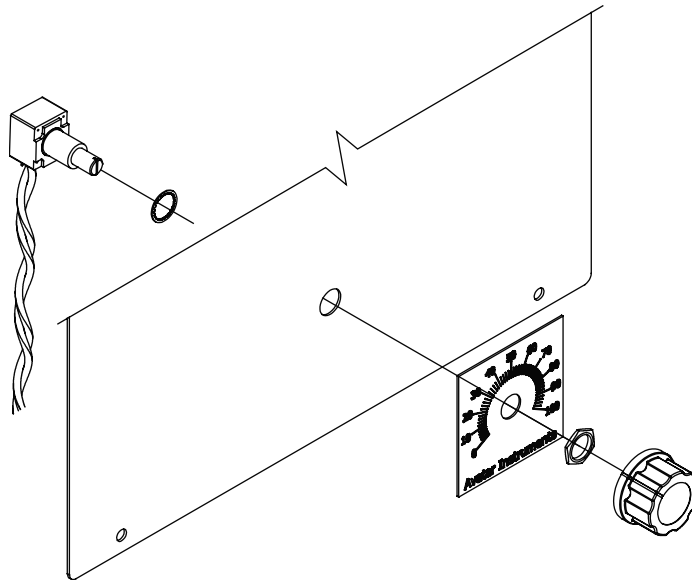
Clearance: A minimum of 6 inches clearance should be maintained on all four sides for proper air flow.

POTENTIOMETER MOUNTING

ENCLOSURE MOUNTING

- Remove knock out in front cover. Install potentiometer as shown.

WARNING: Potentiometer terminals are at line voltage. Disconnect power at main breaker before servicing.

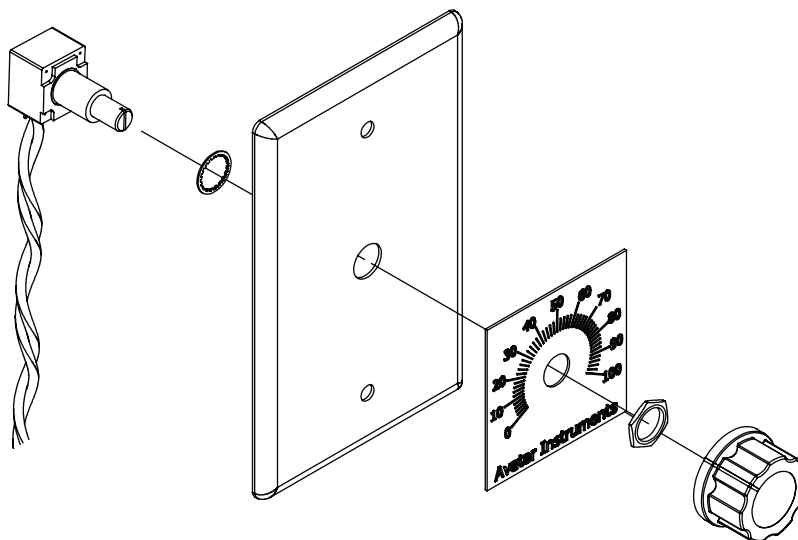


REMOTE MOUNTING

- Install potentiometer as shown. Mount to a standard 2" x 4" electrical box.

NOTE: Extension wire must be rated for line voltage 18AWG min., maximum 100 feet in length.

WARNING: Potentiometer terminals are at line voltage. Disconnect power at main breaker before servicing.



MAINTENANCE

- The VHC should be cleaned of any accumulated dust or dirt with a vacuum cleaner attachment.
- The wiring connections should also be checked yearly to maintain a secure connection.

DISCONNECT POWER BEFORE PERFORMING ANY SERVICE TO THE VHC CONTROL.